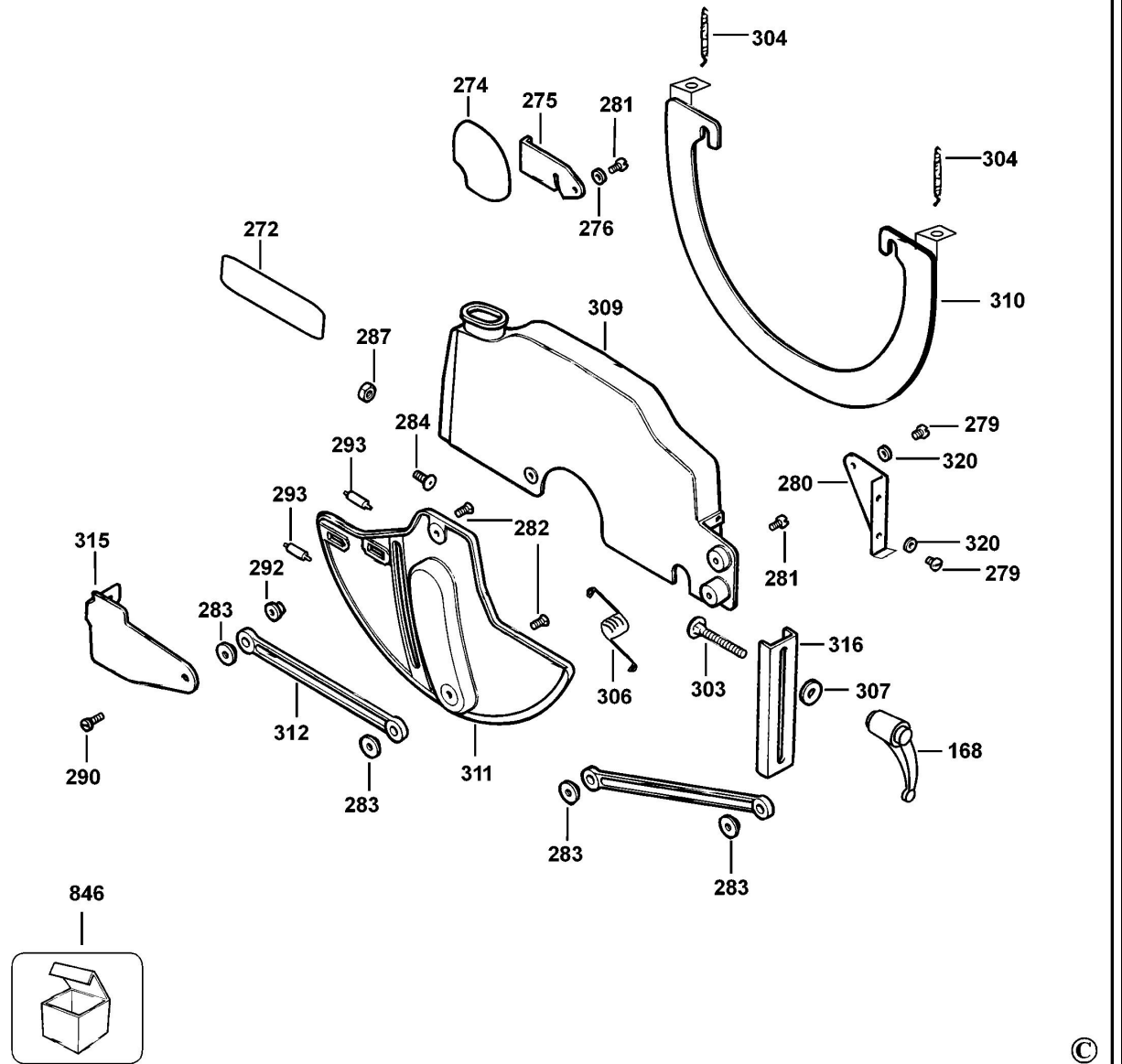
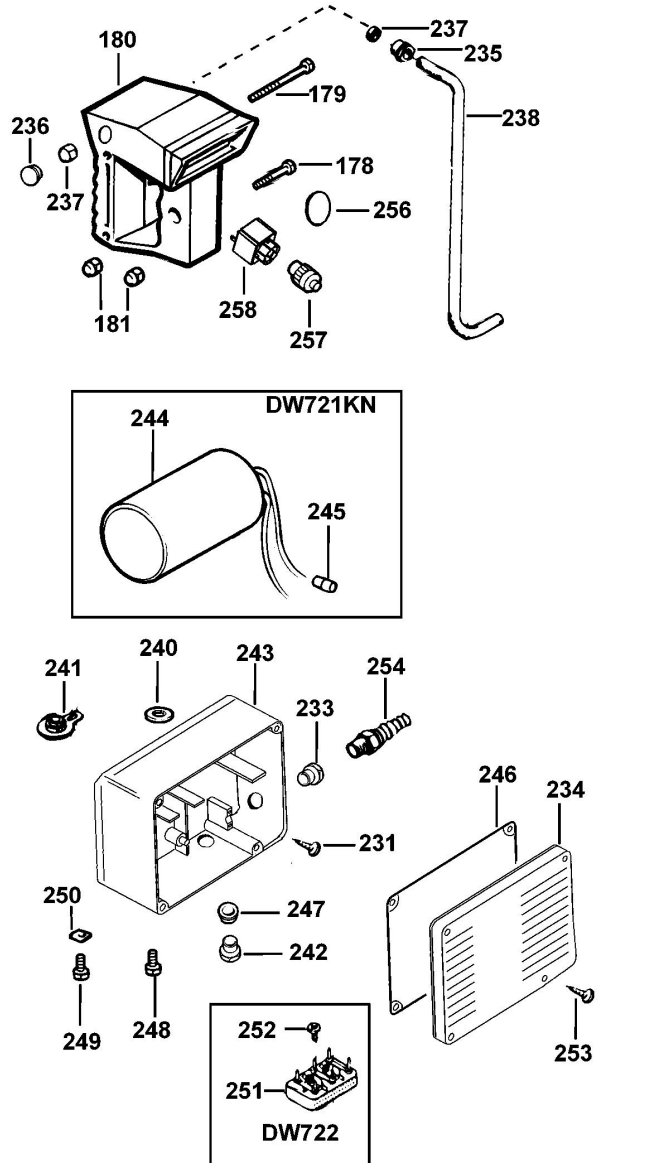
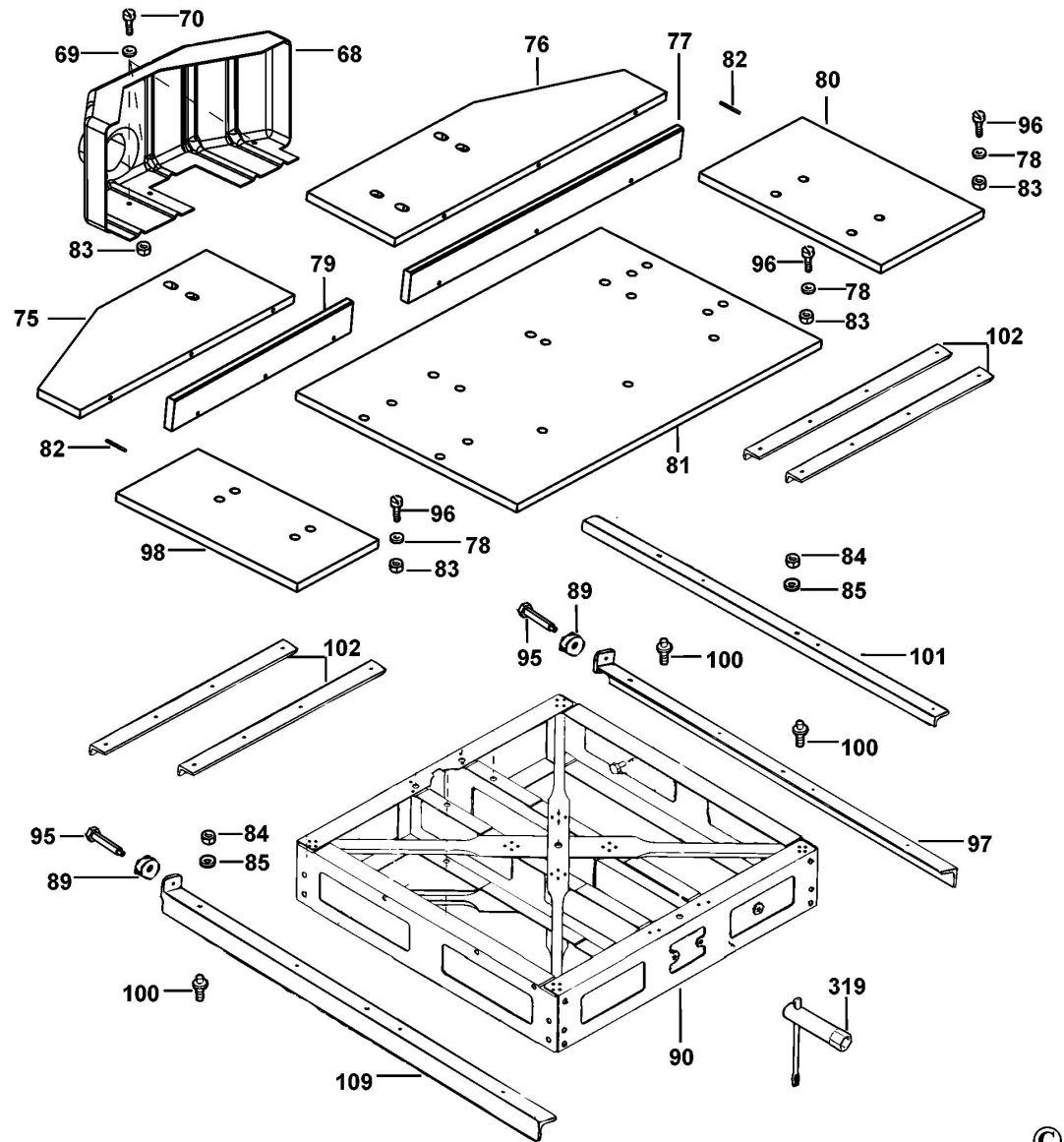
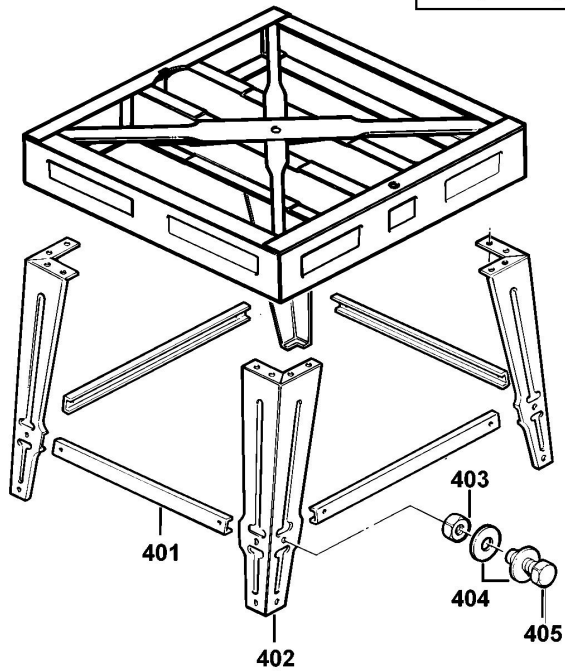
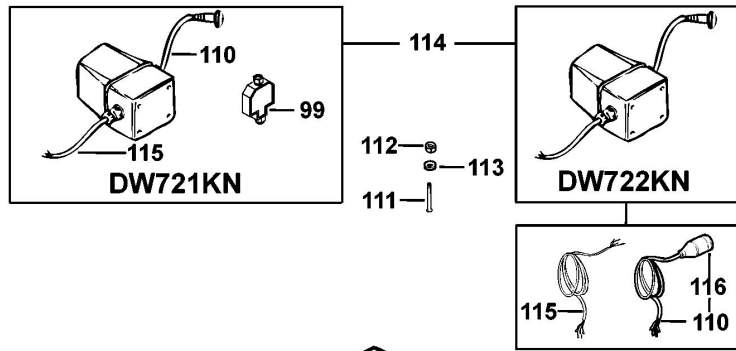


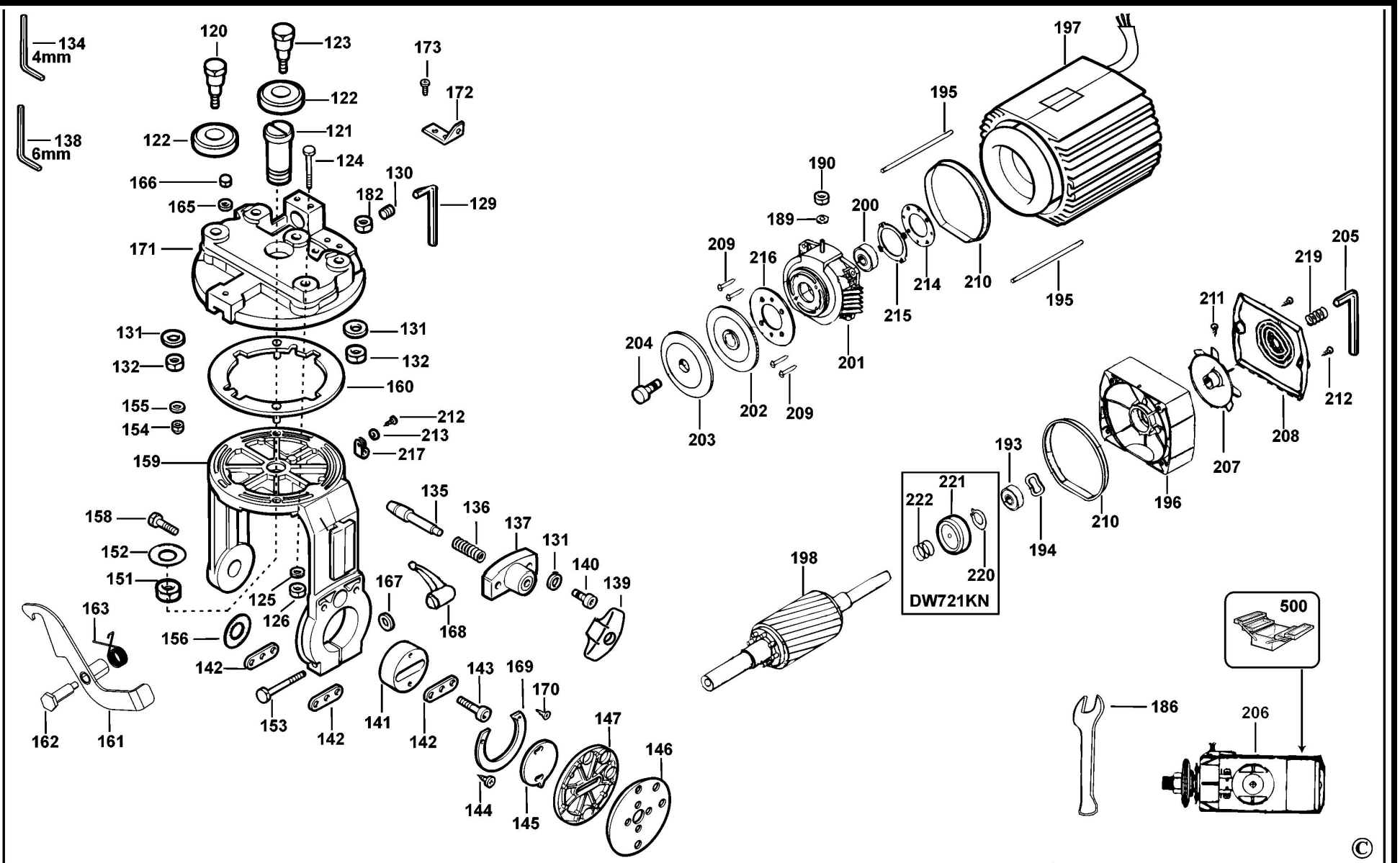
DW721KN Guard RADIAL ARM SAW 1



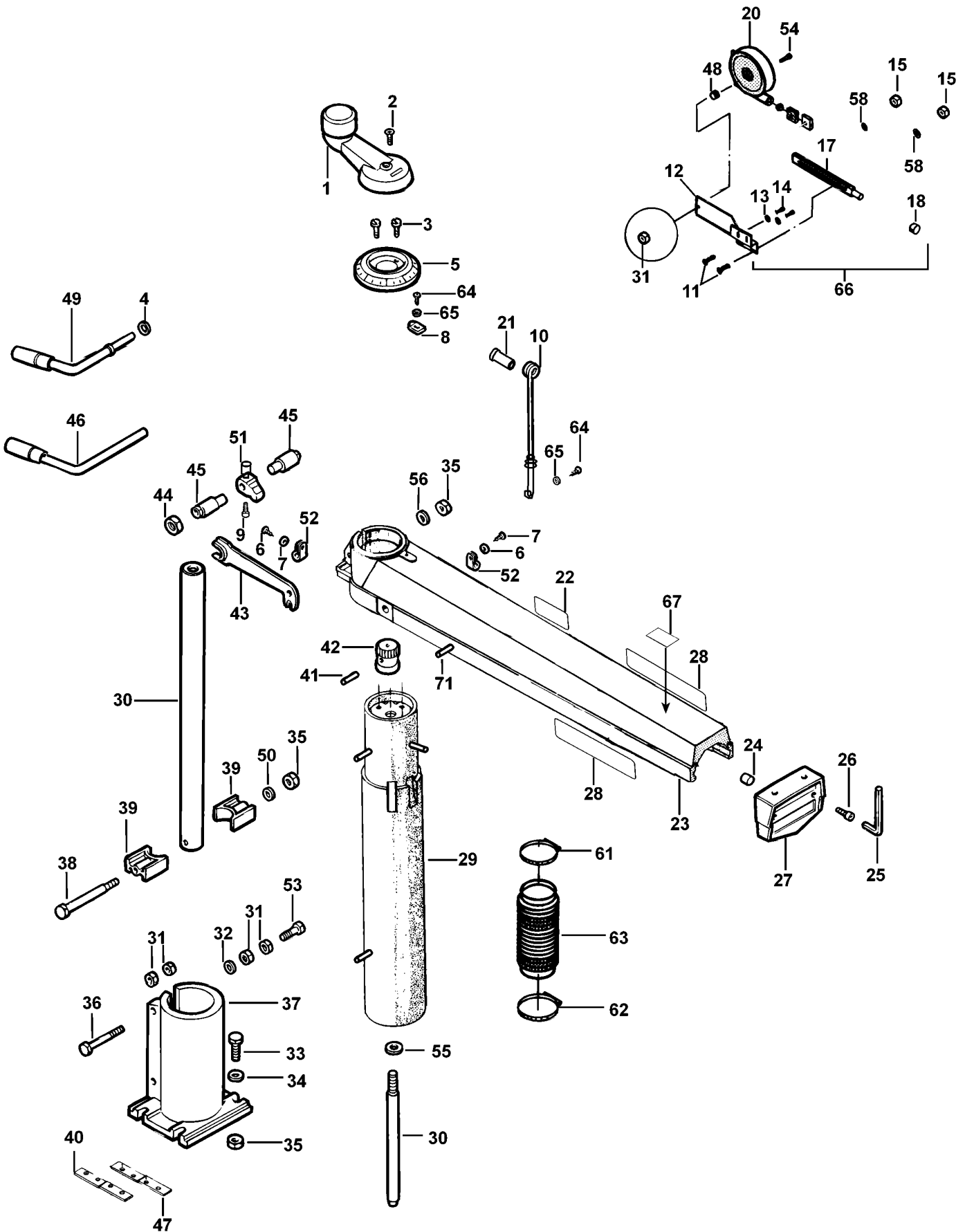
DW721KN Table RADIAL ARM SAW 1



DW721KN Motor RADIAL ARM SAW 1



DW721KN Column sa RADIAL ARM SAW 1



Parts List DW721KN RADIAL ARM SAW 1

Item	Part Number	Qty	Part Description	General Description	Other Info	Repair Inst	Markets
1	860792-00	1	KNOB SA			No	QS
2	934401-00	1	SCREW			No	QS
3	860093-06	2	SCREW			No	QS
4	860073-06	1	WASHER SPACER			No	QS
5	860784-00	1	CAP			No	QS
6	860531-00	4	SCREW			No	QS
7	860073-00	4	WASHER			No	QS
8	860237-00	1	POINTER			No	QS
9	860085-11	1	SCREW			No	QS
10	863912-00	1	SUPPORT			No	QS
11	860301-16	2	SCREW			No	QS
12	863724-00	1	BRACKET			No	QS
13	860074-03	2	WASHER			No	QS
14	860093-14	2	SCREW			No	QS
15	860083-03	2	NUT			No	QS
17	864080-00	1	BAR			No	QS
18	864081-00	1	TIP			No	QS
20	863929-00	1	AUTO SAFETY RETURN			No	QS
21	863259-00	1	PROTECTOR			No	QS
22	N030451	1	RATING PLATE			No	QS
23	N045681	1	ARM			No	QS
24	860429-00	1	BUMPER			No	QS
25	930574-00	1	HEX KEY 5 MM			No	QS
26	860093-05	2	SCREW.TEMP			No	QS
27	861111-01	1	CAP			No	QS
28	861738-01	2	BRAND LABEL			No	QS
29	N045682	1	COLUMN SA			No	QS
30	860791-00	1	TUBE ELEVATING SA			No	QS
31	860083-04	8	NUT			No	QS
32	860073-03	2	WASHER M8			No	QS
33	860085-05	4	SCREW			No	QS
34	860073-04	4	WASHER			No	QS

Parts List DW721KN RADIAL ARM SAW 1

Item	Part Number	Qty	Part Description	General Description	Other Info	Repair Inst	Markets
35	860083-05	6	NUT RH			No	QS
36	860085-02	2	SCREW			No	QS
37	860909-03	1	BASE SA			No	QS
38	860086-00	1	SCREW			No	QS
39	860065-00	2	SPACER			No	QS
40	860273-00	1	SPACER LH			No	QS
41	860096-06	1	PIN			No	QS
42	860831-90	1	PINION			No	QS
43	860423-00	1	WRENCH			No	QS
44	860232-00	2	NUT			No	QS
45	860231-00	2	SCREW			No	QS
46	864723-01	1	LEVER			No	QS
47	860273-02	1	SPACER RH			No	QS
48	867190-01	1	SPACER			No	QS
49	860795-00	1	LEVER			No	QS
50	860074-04	1	WASHER			No	QS
51	861240-00	1	LATCH			No	QS
52	860843-02	2	BRACKET			No	QS
53	949853-11	2	SCREW			No	QS
54	860093-00	1	SCREW			No	QS
55	860226-01	3	WASHER			No	QS
56	860802-90	1	WASHER			No	QS
58	720959-00	1	WASHER			No	QS
61	949700-06	1	CLIP			No	QS
62	949700-07	1	STRAP			No	QS
63	863324-00	1	PROTECTOR			No	QS
64	860238-03	2	SCREW			No	QS
65	860074-01	2	WASHER			No	QS
66	869356-09	1	STOP			No	QS
67	N034454	1	WARNING LABEL			No	QS
68	N032402	1	DUST COLLECTOR			No	QS
69	941602-00	3	WASHER			No	QS

Parts List DW721KN RADIAL ARM SAW 1

Item	Part Number	Qty	Part Description	General Description	Other Info	Repair Inst	Markets
70	860085-04	3	SCREW			No	QS
71	330036-08	1	PIN			No	QS
75	N027622	1	ELEMENT			No	QS
76	N030449	1	ELEMENT			No	QS
77	N027624	1	GUIDE			No	QS
78	860073-03	17	WASHER M8			No	QS
79	N029923	1	GUIDE			No	QS
80	N027626	1	TABLE			No	QS
81	N027625	1	TABLE			No	QS
82	N032917	6	PIN			No	QS
83	860083-14	19	NUT			No	QS
84	860083-04	23	NUT			No	QS
85	860074-03	23	WASHER			No	QS
89	864078-00	2	NUT			No	QS
90	869320-00	1	BASE			No	QS
95	N035392	2	SCREW			No	QS
96	949703-09	17	SCREW			No	QS
97	N030068	1	SUPPORT			No	QS
98	N027627	1	EXTENSION			No	QS
99	868878-06	1	OVERLOAD PROTECTOR			No	QS
100	868459-00	3	SCREW.SPECIAL			No	QS
101	N034713	1	TABLE SUPPORT			No	QS
102	863130-04	4	SUPPORT BRACKET			No	QS
109	N033664	1	SUPPORT LH			No	QS
110	861277-00	1	CABLE			No	QS
111	949701-03	2	SCREW			No	QS
112	860083-02	2	NUT			No	QS
113	860073-01	2	WASHER			No	QS
114	N032400	1	SWITCHBOX SA			No	QS
115	861896-00	1	CABLE			No	QS
120	760421-00	2	SHAFT			No	QS
121	N045683	1	PIN			No	QS

Parts List DW721KN RADIAL ARM SAW 1

Item	Part Number	Qty	Part Description	General Description	Other Info	Repair Inst	Markets
122	860154-00	4	BEARING			No	QS
123	760417-00	2	SHAFT			No	QS
124	860085-26	1	SCREW.TEMP		<072010	No	QS
124	860093-20	1	SCREW		>072010	No	QS
125	931429-00	1	WASHER		>072010	No	QS
125	860074-02	1	WASHER		<072010	No	QS
126	860083-03	1	NUT			No	QS
129	938539-00	1	KEY			No	QS
130	941880-00	2	SCREW			No	QS
131	860074-03	6	WASHER			No	QS
132	860083-08	4	NUT			No	QS
134	949882-01	1	WRENCH 4 MM			No	QS
135	863977-00	1	PIN			No	QS
136	860112-11	2	SPRING			No	QS
137	860835-00	1	SUPPORT			No	QS
138	860098-04	1	WRENCH 6 MM			No	QS
139	942453-00	1	KNOB			No	QS
140	860093-00	2	SCREW			No	QS
141	860119-01	1	FRONT TRUNNION			No	QS
142	860120-00	3	PLATE			No	QS
143	860093-00	3	SCREW			No	QS
144	860531-00	2	SCREW			No	QS
145	862721-01	1	POINTER			No	QS
146	N032399	1	PLATE			No	QS
147	860827-00	1	SHIELD			No	QS
151	N032397	1	NUT			No	QS
152	N035393	1	WASHER			No	QS
153	860086-11	1	SCREW			No	QS
154	860092-00	2	NUT			No	QS
155	720959-00	2	WASHER			No	QS
156	864160-00	1	DISC			No	QS
158	864058-00	1	SCREW			No	QS

Parts List DW721KN RADIAL ARM SAW 1

Item	Part Number	Qty	Part Description	General Description	Other Info	Repair Inst	Markets
159	N045684	1	YOKE			No	QS
160	863157-00	1	RING			No	QS
161	N030650	1	LEVER			No	QS
162	N034670	1	BOLT			No	QS
163	N032405	1	SPRING			No	QS
165	860073-01	1	WASHER			No	QS
166	860092-03	1	NUT M5			No	QS
167	860074-03	1	WASHER			No	QS
168	861840-03	1	LEVER			No	QS
169	860829-00	1	POINTER			No	QS
170	860205-06	2	SCREW			No	QS
171	N045685	1	ROLLER HEAD			No	QS
172	863726-00	1	BRACKET			No	QS
173	860094-02	2	SCREW			No	QS
178	949701-12	1	SCREW			No	QS
179	860089-39	2	SCREW			No	QS
180	N031178	1	HANDLE			No	QS
181	860083-02	3	NUT			No	QS
182	860083-12	2	NUT M6			No	QS
186	949751-07	1	SPANNER 10-13MM			No	QS
189	860073-03	1	WASHER M8			No	QS
190	860083-04	1	NUT			No	QS
193	868768-07	1	BEARING			No	QS
194	860080-02	1	RING			No	QS
195	860446-01	4	BOLT			No	QS
196	861863-00	1	END CAP SA			No	QS
197	868401-01	1	STATOR SA 230V			No	QS
198	N037012	1	ROTOR 1 PH			No	QS
200	868768-10	1	BEARING			No	QS
201	862162-00	1	HOUSING			No	QS
202	N026918	1	FLANGE		<142010	No	QS
203	N071377	1	OUTER FLANGE		>142010	No	QS

Parts List DW721KN RADIAL ARM SAW 1

Item	Part Number	Qty	Part Description	General Description	Other Info	Repair Inst	Markets
204	145344-01	1	BLADE BOLT			No	QS
205	860098-04	1	WRENCH 6 MM			No	QS
206	N113195	1	MOTOR & SWITCHBOX SA			No	QS
207	945841-00	1	FAN			No	QS
208	N027614	1	END CAP			No	QS
209	860538-00	4	SCREW			No	QS
210	860718-00	2	SEAL			No	QS
211	860088-25	1	SCREW			No	QS
212	860094-01	2	SCREW			No	QS
213	933652-00	1	WASHER			No	QS
214	123302-01	1	CAP			No	QS
215	863878-00	1	GASKET			No	QS
216	864085-01	1	PLATE			No	QS
217	860843-01	1	CLAMP			No	QS
219	869246-00	1	SPRING			No	QS
220	949727-06	1	CIRCLIP			Yes	QS
221	861336-05	1	BRAKE ADAPTER			No	QS
222	861338-05	1	SPRING			Yes	QS
231	860094-03	4	SCREW			Yes	QS
233	N033752	1	NUT			No	QS
234	868961-00	1	COVER			No	QS
235	949747-07	1	GLAND			No	QS
236	949747-18	1	CAP			No	QS
237	944590-00	2	NUT			No	QS
238	N032403	1	LEAD			No	QS
240	868963-00	1	GROMMET			No	QS
241	944652-00	1	GROMMET			No	QS
242	868965-01	1	RETAINER			No	QS
243	N036361	1	HOUSING			No	QS
244	949772-50	1	CAPACITOR			No	QS
245	861257-00	7	CONNECTOR			No	QS
246	868962-00	1	GASKET			No	QS

Parts List DW721KN RADIAL ARM SAW 1

Item	Part Number	Qty	Part Description	General Description	Other Info	Repair Inst	Markets
247	868965-00	1	NUT			No	QS
248	860094-00	1	SCREW.TEMP			No	QS
249	860094-02	1	SCREW			No	QS
250	933652-00	1	WASHER			No	QS
253	860084-04	4	SCREW			No	QS
254	947322-01	1	INLET			No	QS
256	N032401	1	LABEL			No	QS
257	N031511	1	BUTTON START			No	QS
258	N031510	1	CONTACT			No	QS
272	869125-00	1	LABEL			No	QS
274	864095-00	1	TUBE EXTRACTION			No	QS
275	N032220	1	BRACKET			No	QS
276	860074-01	4	WASHER			No	QS
279	943023-00	3	SCREW			No	QS
280	863707-01	1	BRACKET			No	QS
281	760998-00	2	SCREW			No	QS
282	249412-20	2	SCREW			No	QS
283	864053-00	4	WASHER			No	QS
284	860301-16	1	SCREW			No	QS
287	860083-03	2	NUT			No	QS
290	860085-09	1	SCREW.TEMP			No	QS
292	863705-00	1	BUSH			No	QS
293	864054-00	2	ROLLER			No	QS
303	949891-01	1	SCREW.TEMP			No	QS
304	861221-00	2	SPRING			No	QS
306	861239-00	1	SPRING			No	QS
307	860076-04	1	WASHER			No	QS
309	N032412	1	GUARD			No	QS
310	863773-02	1	PROTECTOR			No	QS
311	862426-00	1	GUARD			No	QS
312	862082-01	2	LEVER			No	QS
315	863205-02	1	BRACKET			No	QS

Parts List DW721KN RADIAL ARM SAW 1

Item	Part Number	Qty	Part Description	General Description	Other Info	Repair Inst	Markets
316	863437-00	1	BRACKET			No	QS
319	869235-00	1	SPANNER BOX			No	QS
320	860073-01	2	WASHER			No	QS
401	860009-09	4	CROSSBAR LONG			No	QS
402	860008-00	4	LEG			No	QS
403	860083-04	24	NUT			No	QS
404	860073-03	48	WASHER M8			No	QS
405	860085-04	24	SCREW			No	QS
500	N107594	1	REPAIR KIT			Yes	QS
846	N045264	1	GUARD			No	QS